

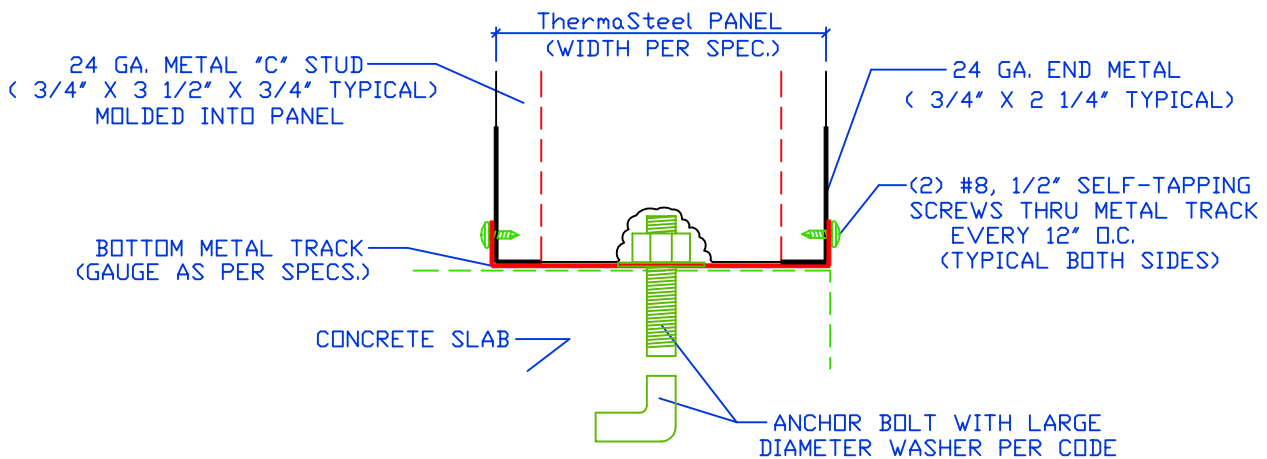


ThermaSteel Corporation

**FOUNDATION
WALL SYSTEM
DETAIL**



THERMASTEEL™
Corporation
 www.thermasteelcorp.com



NOTE:
 AN EXPANSION BOLT WITH SHIELD
 MAY BE USED AS A OPTIONAL
 ATTACHMENT TO SLAB

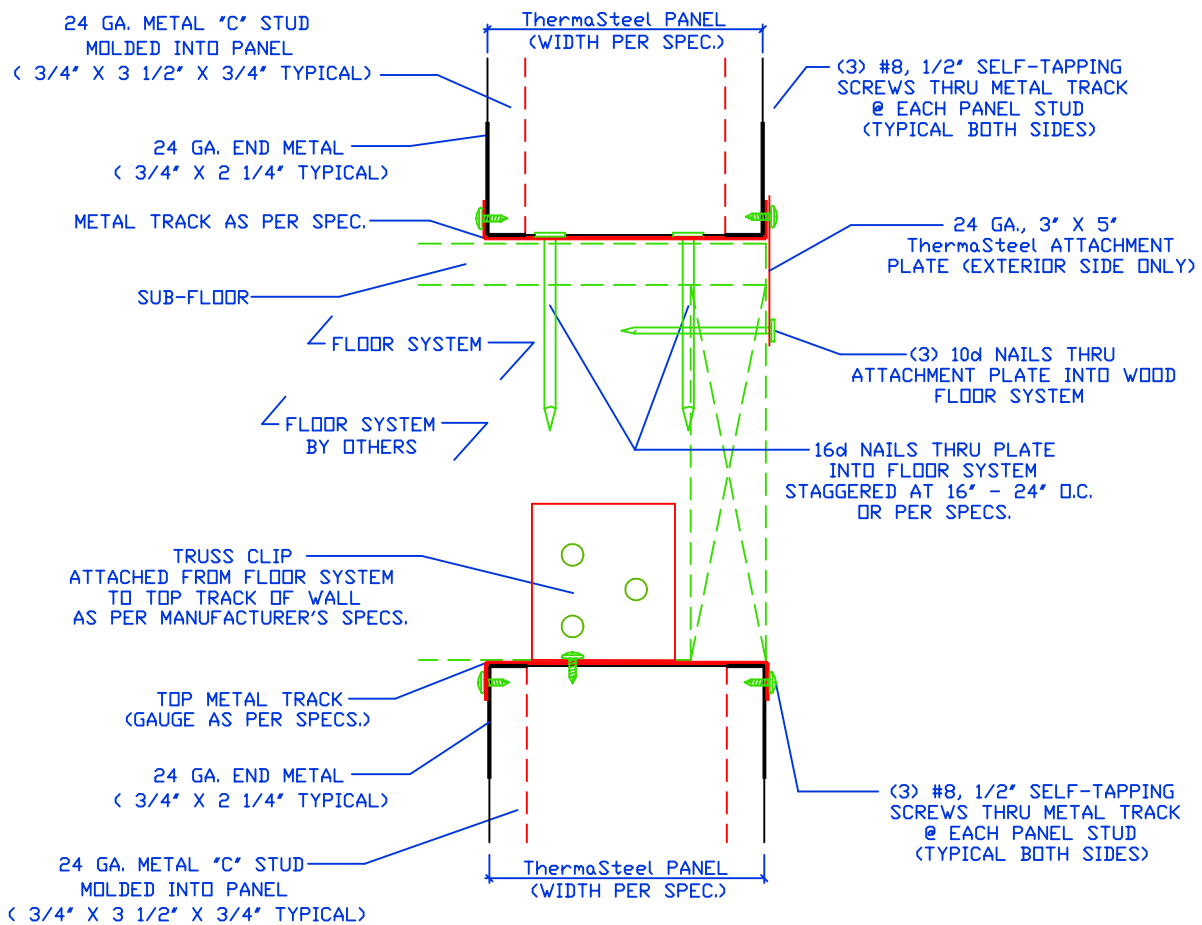
***RECOMMENDED ThermaSteel PANEL TO
 CONCRETE SLAB CONNECTION***

DRAWING B-2

(WITH ANCHOR BOLT AND METAL TRACK)



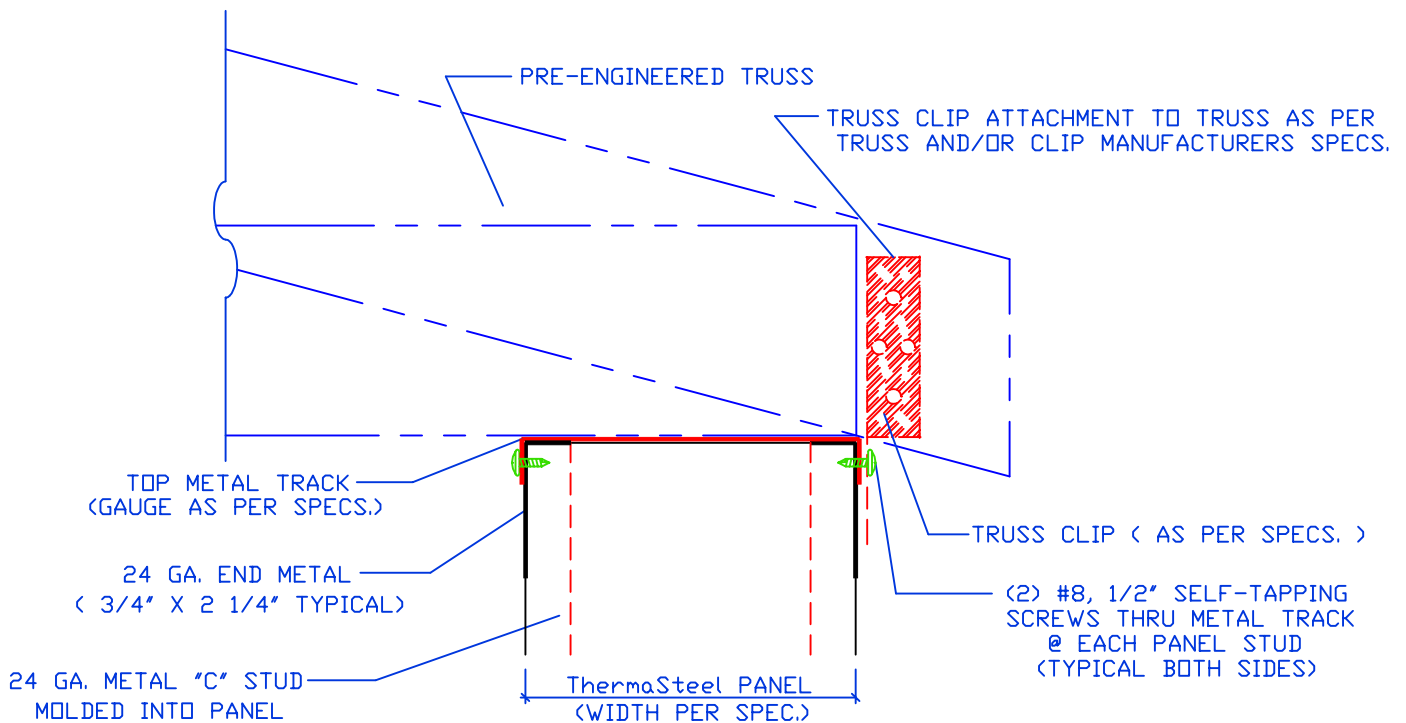
THERMASTEEL™
Corporation
 www.thermasteelcorp.com



RECOMMENDED ThermaSteel PANEL TO FLOOR SYSTEM CONNECTION
2 FLOORS AND ABOVE

DRAWING B-9

(WITH METAL TRACK NAILED DOWN)



DRAWING D-2

***RECOMMENDED ThermaSteel PANEL TO
PRE-ENGINEERED TRUSS CONNECTION***

(WITH TOP METAL TRACK AND CLIPS AS SPECS.)